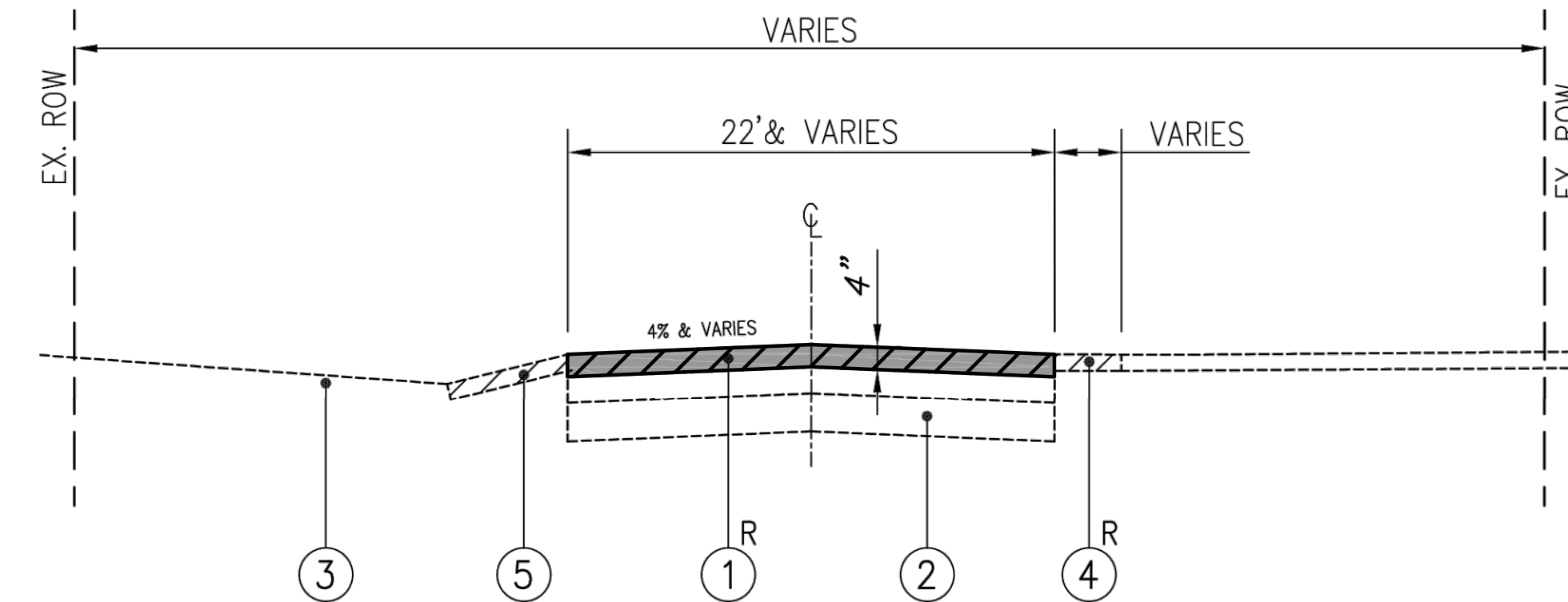


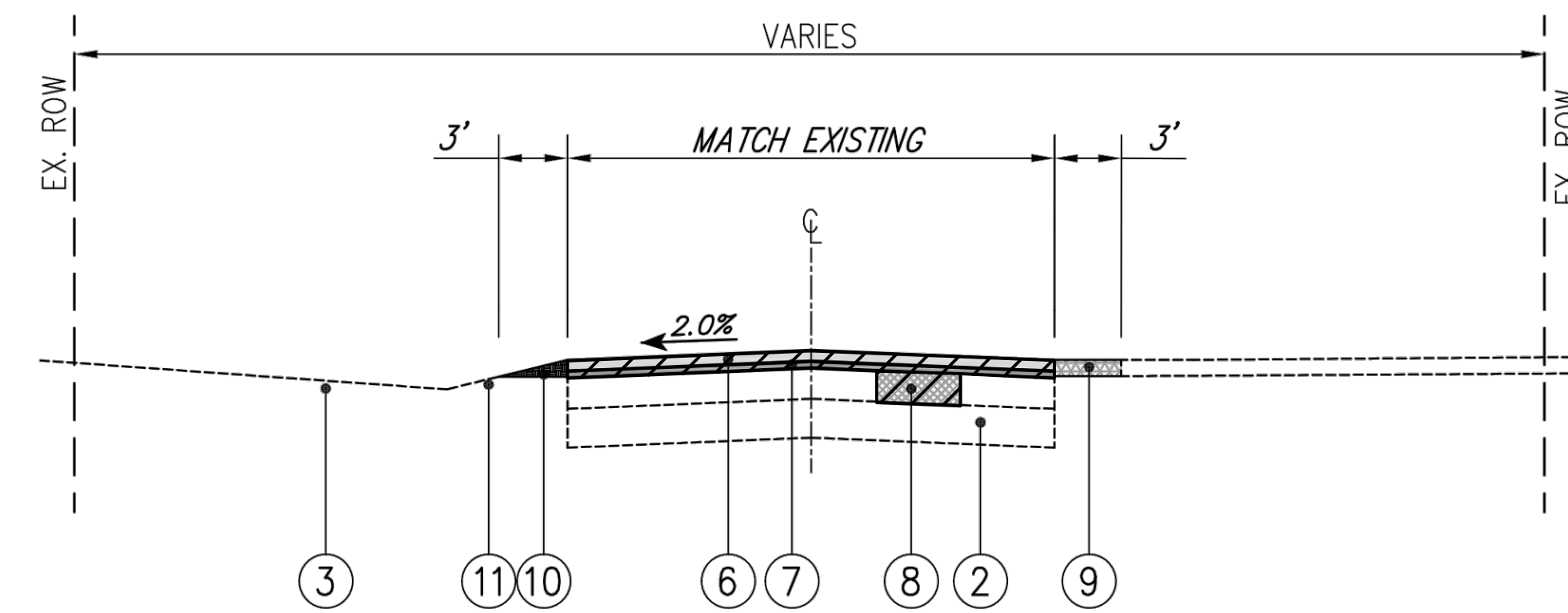
**RESURFACING - RURAL  
LOCATIONS - TABLE A**

STREET	Ex Width	Prop Width
E. CUBA ROAD	22' & VARIES	MATCH EXIST.



**EXISTING PAVEMENT SECTION**

SEE 'LOCATIONS - TABLE A'  
(STA: 0+09 - 105+06)  
(STA: 0+00 - 26+45) = JOINT OWNERSHIP (LONG GROVE & KILDEER)  
(STA: 0+09 - 52+85) = BID SCHEDULE 1  
(STA: 52+85 - 105+06) = BID SCHEDULE 2



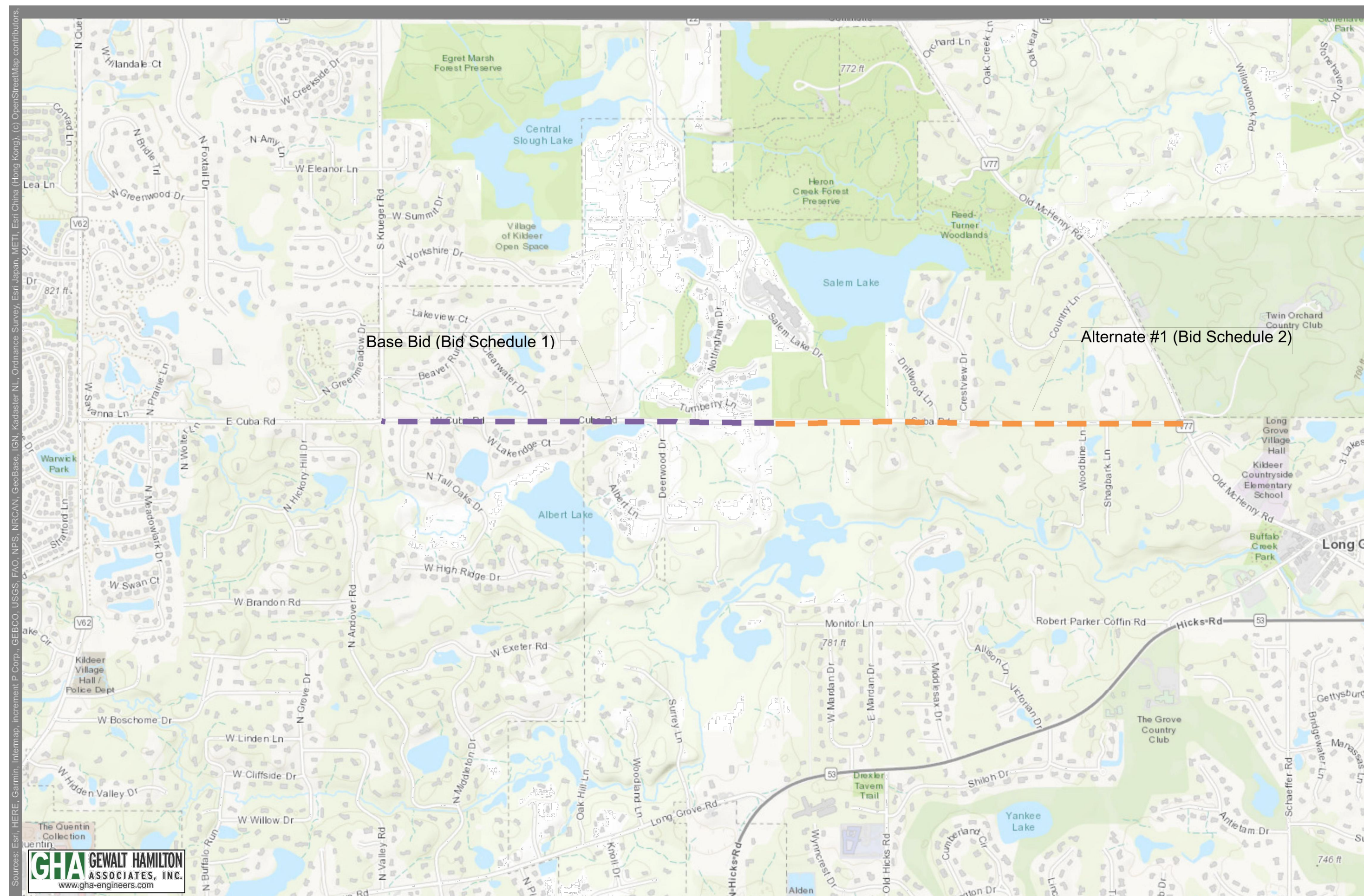
**PROPOSED PAVEMENT SECTION**

SEE 'LOCATIONS - TABLE A'  
(STA: 0+09 - 105+06)  
(STA: 0+00 - 26+45) = JOINT OWNERSHIP (LONG GROVE & KILDEER)  
(STA: 0+09 - 52+85) = BID SCHEDULE 1  
(STA: 52+85 - 105+06) = BID SCHEDULE 2

**TYPICAL SECTION LEGEND**

- NO DESCRIPTION
- ① EXISTING HOT-MIX ASPHALT PAVEMENT, VARIES 6" TO 16.25"
- ② EXISTING AGGREGATE BASE COURSE, VARIES 1.5" TO 11.5"
- ③ EXISTING GROUND
- ④ EXISTING DRIVEWAY
- ⑤ EXISTING GRAVEL & LANDSCAPED SHOULDER
- ⑥ PROPOSED HOT-MIX ASPHALT SURFACE COURSE, MIX D, IL-9.5, N50, 1.75 INCH
- ⑦ PROPOSED HOT-MIX ASPHALT BINDER COURSE, IL-19.0, N50 2.25 INCH
- ⑧ PROPOSED CLASS D PATCHES, 8 INCH  
(As Required)
- ⑨ PROPOSED DRIVEWAY  
(HMA: 3' 0/S E/P, Conc: 10' 0/S E/P; Brick: 5' 0/S E/P)
- ⑩ PROPOSED AGGREGATE WEDGE SHOULDER, TYPE B  
(3' Width At Existing Locations)
- ⑪ PROPOSED RESTORATION, VARIABLE DEPTH  
(PULV TOPSOIL, SEEDING CL 1A, FERTILIZER NUTRIENT, MULCH METHOD 3A)
- ⓧ ITEM TO BE REMOVED

\* REFERENCE THE PAVEMENT CORE REPORT PREPARED BY CGMT.



**2020 Road Maintenance Program**  
Village of Long Grove

NO.	BY	DATE	REVISION

FILE: EXHIBIT.dwg	GHA PROJECT #
DRAWN BY: KRM	5000.520
DATE: 9-9-2020	
CHECKED BY: GLP	SCALE:
DATE: 9-9-2020	N.T.S.