

LICENSE PLATE READER CAMERA INSTALLATION

CASE NUMBER: 00259323

PERMITTING JURISDICTION:

VILLAGE OF LONG GROVE

STATE OF ILLINOIS
VILLAGE OF LONG GROVE
 ON BEHALF OF
COUNTRY CLUB MEADOWS

[THIS SPACE LEFT INTENTIONALLY BLANK FOR STAMP]

COUNTRY CLUB MEADOWS

1237 ANTIETAM DR,
 LONG GROVE, IL 60047

flock safety

1170 HOWELL MILL ROAD SUITE 210
 ATLANTA, GA 30318

CONTACT LIST

PERMITTING

ERIC KRAVITZ
 ERIC.KRAVITZ@FLOCKSAFETY.COM

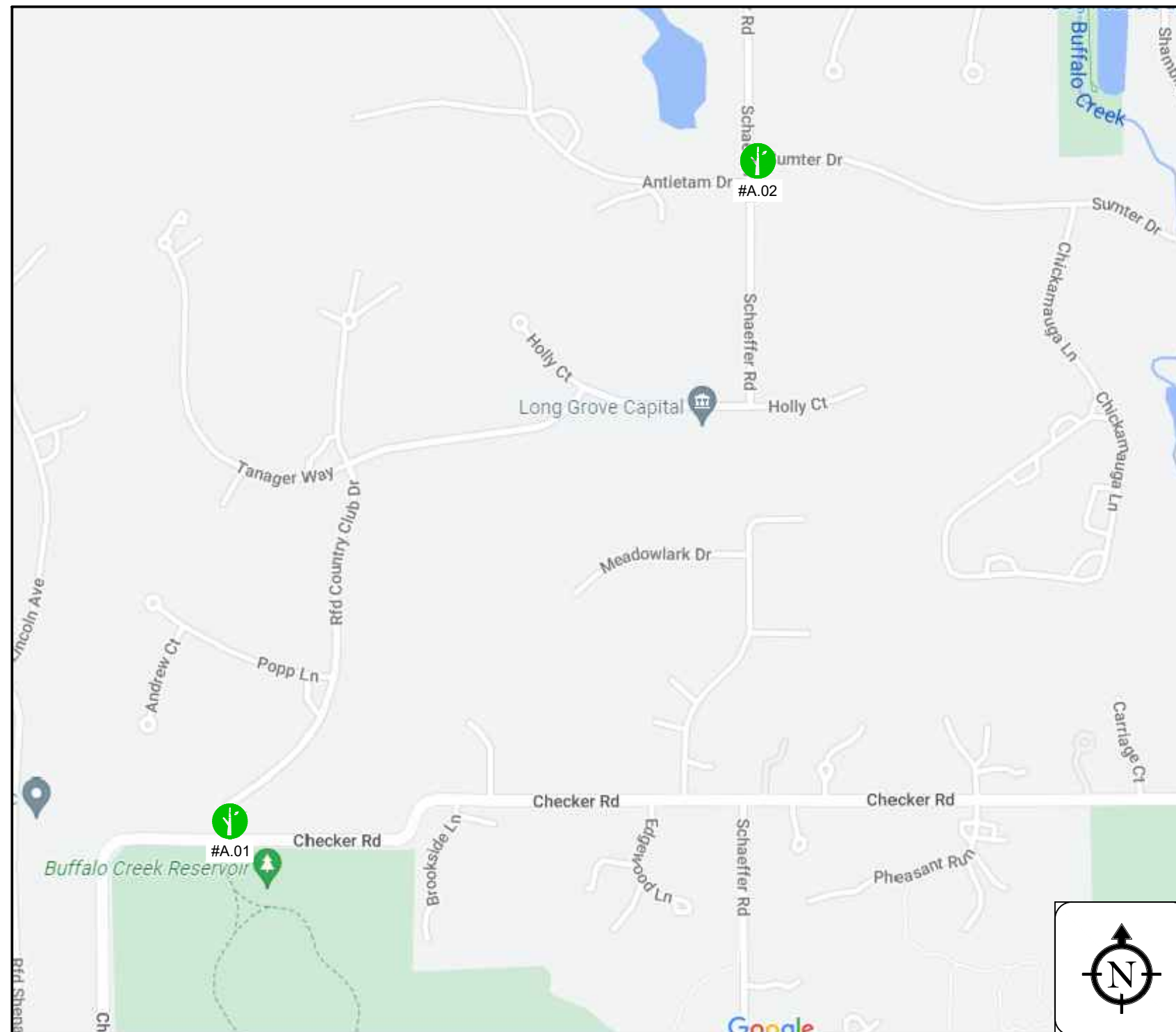
PROJECT MANAGER

CHELSEA DAY
 CHELSEA.DAY@FLOCKSAFETY.COM

SEE APPROVED PERMIT FOR LISTED INSPECTOR*

DRAWING INDEX

T.01	COVER SHEET & LOCATION MAPS
T.02	SYMBOLGY & ABBREVIATIONS
GN.01 - GN.03	GENERAL NOTES
A.01 - A.2	PLAN DRAWINGS
SPEC.01 - SPEC .02	EQUIPMENT & FOUNDATION DETAILS



REV	DATE	BY	DESCRIPTION
-	-	-	-
-	-	-	-
-	-	-	-
0	12/15/2022	DAW	PRELIM

I HEREBY CERTIFY THIS DOCUMENT WAS PREPARED BY MYSELF OR UNDER MY DIRECT SUPERVISION THAT I AM A DULY REGISTERED ENGINEER UNDER THE LAWS OF THE STATE OF ILLINOIS.

[THIS SPACE LEFT INTENTIONALLY BLANK FOR STAMP]

LICENSE PLATE READER CAMERA
 INSTALLATION

CASE NUMBER: 00259323
 PERMITTING JURISDICTION:
 VILLAGE OF LONG GROVE

COVER SHEET & LOCATION MAPS

SHEET: T.01	REV: 0
----------------	-----------



LINE TYPES

	RIGHT OF WAY
	EDGE OF PAVEMENT
	SIDEWALK
	CENTER LINE
	GAS
	WATER
	TELEPHONE
	ELECTRIC
	SANITARY SEWER (SEW)
	STORM DRAIN
	FENCE
	UNKNOWN UTILITY
	RAILROAD

SYMBOLOLOGY

	FLOCK CAMERA - EXISTING
	FLOCK CAMERA - PROPOSED
	POLE - PROPOSED
	POLE - EXISTING
	HANDHOLE - EXISTING
	HANDHOLE - PROPOSED
	PEDESTAL - EXISTING
	MANHOLE - EXISTING
	FIRE HYDRANT - EXISTING
	WATER VALVE - EXISTING
	GAS VALVE - EXISTING

[THIS SPACE LEFT INTENTIONALLY BLANK FOR STAMP]

COUNTRY CLUB MEADOWS
1237 ANTIETAM DR, LONG GROVE, IL 60047

frock safety

1170 HOWELL MILL ROAD SUITE 210
ATLANTA, GA 30318

REV	DATE	BY	DESCRIPTION
-	-	-	-
-	-	-	-
-	-	-	-
0	12/15/2022	DAW	PRELIM

I HEARBY CERTIFY THIS DOCUMENT WAS PREPARED BY MYSELF OR UNDER MY DIRECT SUPERVISION THAT I AM A DULY REGISTERED ENGINEER UNDER THE LAWS OF THE STATE OF ILLINOIS.

[THIS SPACE LEFT INTENTIONALLY BLANK FOR STAMP]

LICENSE PLATE READER CAMERA
INSTALLATION

CASE NUMBER: 00259323
PERMITTING JURISDICTION:
VILLAGE OF LONG GROVE

COVER SHEET & LOCATION MAPS

SHEET: T.02	REV: 0
----------------	-----------

GENERAL & CONSTRUCTION NOTES

- 1. FLOCK SAFETY SHALL BE RESPONSIBLE FOR LOCATING ALL UNDERGROUND UTILITIES 48 PRIOR TO CONSTRUCTION.
- 2. CONTRACTOR SHALL BE RESPONSIBLE TO APPLY AND OBTAIN AN APPROVED TRAFFIC CONTROL PLAN IN ACCORDANCE WITH MUTCD AND LOCAL STANDARDS AS REQUIRED.
- 3. CONTRACTOR SHALL BE RESPONSIBLE TO RESTORE ALL DISTURBED AREAS TO ORIGINAL CONDITION TO STATE DEPARTMENT OF TRANSPORTATION AND LOCAL AGENCY SATISFACTION AT NO ADDITIONAL COMPENSATION.
- 4. ALL WORK SHALL CONFORM TO ALL APPLICABLE ELECTRICAL CODES EXCEPT WHEN SATE DEPARTMENT OF TRANSPORTATION AND LOCAL AGENCY STANDARDS SUPERSEDE.
- 5. ALL CONSTRUCTION SHALL BE IN ACCORDANCE WITH STATE AND LOCAL AGENCY SPECIFICATIONS UNLESS SPECIFICALLY STATED OR SHOWN OTHERWISE HEREIN.
- 6. THE WORK INVOLVING INSTALLATION OF FLOCK SAFETY ALPR CAMERAS INVOLVING TEMPORARY LANE CLOSURES ARE TO BE DONE BETWEEN THE HOURS OF 8:00AM AND 5:00PM. MONDAY THROUGH FRIDAY UNLESS OTHERWISE STATED BY THE DEPARTMENT.
- 7. WHEN INSTALLING FLOCK SAFETY PROVIDED POLES, A MINIMUM OF 2' SEPARATION SHALL BE MAINTAINED FROM ALL EXISTING UTILITIES AND STORM DRAIN STRUCTURES.
- 8. IF THE PROPOSED UTILITY CANNOT BE INSTALLED PER THE APPROVED PERMITTED PLAN AND BY GENERAL SPECIFICATIONS, A REVISED PLAN MUST BE PROVIDED TO THE DEPARTMENT FOR REVIEW AND APPROVAL PRIOR TO THE INSTALLATION OF PRODUCTS OR MATERIALS AT THE GIVEN LOCATIONS WHERE CONFLICTS OCCUR.
- 9. NO PEDESTRIAN PATHWAY IS TO BE REMOVED, BLOCKED, OR DISTURBED WITHOUT HAVING A SUFFICIENT DESIGNATED TEMPORARY PEDESTRIAN PATHWAY WITH ALL APPROPRIATE PEDESTRIAN MAINTENANCE OF TRAFFIC SIGNS IN PLACE PRIOR TO PATHWAY BEING AFFECTED.
- 10. ALL TEMPORARY PEDESTRIAN PATHWAYS MUST BE FIRM AND UNYIELDING.
- 11. ANY SIDEWALK DISTURBED WILL BE REPLACED BY SECTION WITHIN 72 HOURS TO GENERAL SPECIFICATIONS.
- 12. THE GENERAL RETAINS THE RIGHT TO MAKE ALTERATIONS TO THE PERMIT, ATTACHED SKETCH OR CHARACTER OF WORK AS MAY BE CONSIDERED NECESSARY OR DESIRABLE DURING THE PROGRESS OF THE WORK FOR SATISFACTORY COMPLETION OF THE PROPOSED CONSTRUCTION.
- 13. THE PERMITTEE SHALL NOTIFY THE GENERAL OF DATE OF COMPLETION, REQUEST A FINAL INSPECTION AND A NOTICE OF FINAL ACCEPTANCE.
- 14. ALL CONSTRUCTION AND/OR MAINTENANCE ON THE GENERAL RIGHT OF WAY SHALL CONFORM TO THE FEDERAL MANUAL ON UNIFORM TRAFFIC DEVICES, THE GENERAL ROADWAY AND TRAFFIC DESIGN STANDARD SPECIFICATIONS FOR ROAD AND BRIDGE CONSTRUCTION, PLANS PREPARATION MANUAL AND DRAINAGE MANUAL.
- 15. ANY SIDEWALK DAMAGED AS A RESULT OF WORK BEING PERFORMED IN ASSOCIATION WITH THE PERMITTEE AND CONTRACTOR SHALL BE REMOVED AND REPLACED.
- 16. THE CONTRACTOR SHALL HAVE AN AUTHORIZED PERSON AVAILABLE AT/OR NEAR THE WORK SITE ON A 24 HOUR BASIS, 7 DAYS A WEEK IN ORDER TO ADDRESS EMERGENCY ISSUES ASSOCIATED WITH THE PROJECT.
- 17. NO STOCKPILING, STORING OR SEMI PERMANENT USE OF THE RIGHT OF WAY IS AUTHORIZED UNLESS SPECIFICALLY IDENTIFIED WITHIN THE PERMIT.
- 18. NO WORK SHALL BE PERFORMED DURING ANY STATE OR FEDERAL HOLIDAYS UNLESS OTHERWISE APPROVED BY THE GENERAL.
- 19. THE PERMITTED WORK SCHEDULE IS DEFINED AS MONDAY THROUGH FRIDAY 8:00AM TO 5:00PM UNLESS OTHERWISE NOTED WITHIN THE PERMIT. ANY WORK DESIRED OUTSIDE OF THIS PERIOD MUST BE REQUESTED IN ADVANCE AND APPROVED BEFORE WORKING THE ALTERNATE SCHEDULE.
- 20. THE DEPARTMENT RESERVES THE RIGHT TO MAKE ADJUSTMENTS TO ANY PERMITTED METHODS OF INSTALLATION, SCOPE OF WORK AND RESTORATION THAT MAY BE REQUIRED TO POSITIVELY SUPPORT LIFE, SAFETY AND ENVIRONMENTAL WELL BEING OF ALL USERS OF THE TRANSPORTATION SYSTEM.

GENERAL & CONSTRUCTION NOTES CONTINUED:

- 21. PERMITTEE SHALL NOT BEGIN ANY WORK ALONG GENERAL RIGHT-OF-WAY UNTIL THE INSPECTION OF THE PERMIT ARE MET.
- 22. PRIOR TO CLOSING A LANE, THE PERMITTEE SHALL PROVIDE A SUTIALBE TRAFFIC CONTROL PLAN AS PER FEDERAL MANUAL TRAFFIC CONTROL STANDARDS DEPICTING ALL WORK BEING DONE. THE UTILITY OWNER IS NOT REQUIRED TO REPORT LANE CLOSURES FOR EMERGENCIES.
- 23. IT WILL BE THE RESPONSIBILITY OF THE PERMITTEE TO REPAIR ANY DAMAGE TO GENERAL FACILITIES AND/OR PRIVATE PROPERTY CAUSED BY CONSTRUCTION OF THE PROJECT.

DESIGN NOTES:

- 1. POLE AND FOUNDATION DESIGNED PER CURRENT STANDARD SPECIFICATIONS FOR STRUCTURAL SUPPORT FOR HIGHWAY SIGNS, LUMINAIRES AND TRAFFIC SIGNALS.
- 2. POLE DESIGN WIND SPEED IS 85 MPH, 110 MPH, 130 MPH, AND 150 MPH BASED ON A 300-YEAR MRI.
- 3. CONCRETE SHALL HAVE A MINIMUM 28-DAY DESIGN STRENGTH OF 3000 PSI, AND HAVE AT LEAST 505 POUNDS OF CEMENTITIOUS MATERIAL PER CUBIC YARD.
- 4. PROVIDE A FLAT BEARING SURFACE ON TOP SURFACE ON TOP SHAFT BELOW THE POLE BASE. SLOPE TOP SURFACE OF CONCRETE SHAFT OUTSIDE OF POLE BASE TO DRAIN AWAY FROM POLE.
- 5. DO NOT USE THIS DETAIL FOR SITES WHERE SOIL CONSISTS OF SOFT CLAY, PEAT OR ANY OTHER SOIL WHERE A SMALL DIAMETER REBAR (#5 OR SMALLER) OR METAL PROBE PENETRATES EASILY TO 6" OR MORE OF DEPTH WHEN THE FULL WEIGHT OF A PERSON IS APPLIED.

ADA COMPLIANCE NOTES:

- 1. ALL SIDEWALK CONSTRUCTION SHALL BE IN ACCORDANCE WITH ADA TITLE II AND ALL FEDERAL, STATE, AND LOCAL STANDARDS.
- 2. USE STANDARD WATCH MANUAL PLANS FOR PEDESTRIAN CONTROL PLANS FOR CLOSURE OF SIDEWALK.
- 3. MINIMUM SIDEWALK CLEAR PEDESTRIAN ACCESS ROUTE (PAR) IS 48" WIDE.
- 4. NO OBSTRUCTION IS PERMITTED ALONG THE WIDTH OF THE SIDEWALK UP TO 7'-0" IN HEIGHT.

COUNTY NOTES:

- 1. CURRENT A.D.A. STANDARDS SHALL BE UPHELD AT ALL TIMES.
- 2. CONTRACTOR SHALL MAINTAIN ACCESS TO ALL ADJACENT PROPERTY IN THE VICINITY OF THE CONSTRUCTION.
- 3. CONTRACTOR SHALL PROVIDE SAFE ACCESS PER CURRENT GENERAL STANDARDS FOR ALL PEDESTRIAN TRAFFIC REGULATIONS ON ALL EXCAVATIONS OPENED IN THE TRAFFIC ZONE CONTROL AREA.
- 4. CONTRACTOR SHALL RESTORE RIGHT-OF-WAY TO EQUAL OR BETTER CONDITION UPON COMPLETION OF WORK.

[THIS SPACE LEFT INTENTIONALLY BLANK FOR STAMP]

COUNTRY CLUB MEADOWS
1237 ANTIETAM DR, LONG GROVE, IL 60047

flock safety
1170 HOWELL MILL ROAD SUITE 210
ATLANTA, GA 30318

REV	DATE	BY	DESCRIPTION
-	-	-	-
-	-	-	-
-	-	-	-
-	-	-	-
0	12/15/2022	DAW	PRELIM

I HERBY CERTIFY THIS DOCUMENT WAS PREPARED BY MYSELF OR UNDER MY DIRECT SUPERVISION THAT I AM A DULY REGISTERED ENGINEER UNDER THE LAWS OF THE STATE OF ILLINOIS.

[THIS SPACE LEFT INTENTIONALLY BLANK FOR STAMP]

LICENSE PLATE READER CAMERA INSTALLATION
CASE NUMBER: 00259323
PERMITTING JURISDICTION: VILLAGE OF LONG GROVE

COVER SHEET & LOCATION MAPS	
SHEET: GN.01	REV: 0

GENERAL NOTES:

1. ALL WORK PERFORMED WITHIN THE GENERAL RIGHT-OF-WAY SHALL BE IN ACCORDANCE WITH THE CURRENT GENERAL STANDARDS.

2. SHOULD A CONFLICT ARISE BETWEEN THE DETAILS SHOWN IN THE PLANS AND THE DEPARTMENT OF TRANSPORTATION STANDARDS, THE ENGINEER/PERMITTEE SHALL IMMEDIATELY CONFER WITH THE TRANSPORTATION STANDARDS, THE ENGINEER/PERMITTEE SHALL IMMEDIATELY CONFER WITH THE DEPARTMENT'S ENGINEER IN ORDER TO RESOLVE THE DISCREPANCY. IN NO CASE WILL ANYTHING LESS THAN THE DEPARTMENTS MINIMUM STANDARDS BE ALLOWED.

3. ALL TRAFFIC STRIPING AND MARKINGS ARE TO BE LEAD-FREE, NON-SOLVENT BASED THERMOPLASTIC.

4. ALL DISTURBED AREA WITHIN THE RIGHT-OF-WAY WILL BE RESTORED TO ORIGINAL OR BETTER CONDITION BY GRADING AND SODDING IN AREA DISTURBED.

5. BURNING OF ANY MATERIAL OR DEBRIS IS PROHIBITED IN GENERAL RIGHT-OF-WAY.

6. ALL LANES MUST BE OPENED FOR TRAFFIC DURING AN EVACUATION NOTICE OF A CATASTROPHIC EVENT AND SHALL REMAIN OPEN FOR THE DURATION OF THE EVACUATION OR EVENT.

7. THE CONTRACTOR SHALL NOTIFY JURISDICTION PRIOR TO BEGINNING ANY CONSTRUCTION WITHIN GENERAL RIGHT-OF-WAY AS PER ISSUED PERMIT.

8. ALL AREAS WITHIN GENERAL R/W DISTURBED BY CONSTRUCTION SHALL BE RE-GRADED AND SODDED WITH LIKE-KIND SOD WITHIN (7) DAYS.

1.0 SCOPE OF WORK

1.1 THIS PROJECT SHALL CONSIST OF THE FOLLOWING OPERATIONS:

THE WORK PACKAGE IS FOR THE INSTALLATION OF FLOCK SAFETY ALPR CAMERAS WHICH INCLUDES BUT IS NOT LIMITED TO: FLOCK SAFETY PROVIDED POLES, POLE MOUNTED SOLAR PANELS, AND EXTERNAL BATTERY PACKAGES.

2.0 DRAWINGS

2.1 THE WORK SHALL BE PERFORMED IN STRICT ACCORDANCE WITH THE FOLLOWING ATTACHED DRAWINGS THAT ARE HEREBY MADE A PART OF THE STATEMENT OF WORK, BY THIS REFERENCE.

2.2 INSTALLER SHALL RECEIVE FLOCK SAFETY MATERIALS AT A FLOCK SAFETY LEASED WAREHOUSE FACILITY OR AT THE LOCAL TSO LOCATED AT (CONTACT 24 HOURS IN ADVANCE): 1170 HOWELL MILL RD NW, ATLANTA, GA 30318.

ALL UNUSED AND REQUESTED SALVAGED MATERIAL TO BE RETURNED TO SAME ADDRESS.

2.3 THE RECEIPT OF ALL MATERIALS SHALL BE CONSTRUED AS CONCLUSIVE EVIDENCE THAT THE INSTALLER HAS MADE ALL NECESSARY EXAMINATION AND INSPECTIONS, AND IS SATISFIED AS TO THE QUALITY AND QUANTITY OF MATERIALS RECEIVED.

2.4 ANY AND ALL MATERIALS THAT MAY BECOME LOST, STOLEN OR DAMAGED SHALL BE REPLACED BY THE INSTALLER AT HIS SOLE EXPENSE, AND ANY DELAY INCURRED SHALL NOT BE CAUSE FOR AN EXTENSION IN TIME.

2.5 ALL UNUSED MATERIALS SUPPLIED BY FLOCK SAFETY BUT NOT USED IN THE COMPLETION OF WORK SHALL BE RETURNED TO FLOCK SAFETY FOURTEEN (14) DAYS AFTER INSTALL COMPLETION. FLOCK SAFETY WILL ARRANGE FOR THE TRANSPORTATION OF THESE MATERIALS.

3.0 PERMITS

3.1 FLOCK SAFETY HAS OBTAINED OR WILL OBTAIN PERMITS FROM DEPARTMENTS AND/OR AGENCIES OF CITIES, COUNTIES, STATES, FEDERAL GOVERNMENT, RAILROAD OR OTHER ENTITIES, WHICH PROVIDE FOR THE PLACING OF PIPES AND/OR CABLE UNDER DITCH, TRACKS AND ROADS AND PLACING PIPES AND/OR CABLE ALONG AND WITHIN PUBLIC OR PRIVATE ROAD RIGHTS OF WAY AND RAILROAD RIGHTS.

3.2 CONTRACTOR SHALL OBTAIN ADDITIONAL PERMITS, IF REQUIRED, FOR EQUIPMENT ACCESS OR MOVEMENT ON PUBLIC ROADS AND RAILROADS. COPIES OF SUCH PERMITS SHALL BE FURNISHED TO FLOCK SAFETY.

3.3 ALL TRAFFIC CONTROL, IF APPLICABLE, SHALL BE IN ACCORDANCE WITH LOCAL, STATE, COUNTY, OR PERMITTING AGENCY LAWS, REGULATIONS, AND REQUIREMENTS, AND WILL BE THE INSTALLER'S RESPONSIBILITY. TRAFFIC CONTROL PLANS PROVIDED BY CURRENT GENERAL DESIGN STANDARDS.

4.0 SAFETY AND PRECAUTIONS

4.1 ALL PERSONNEL ARE REQUIRED TO ABIDE BY ALL RULES AND REGULATIONS SET FORTH IN THE FLOCK SAFETY REQUIREMENTS, RAILROAD SAFETY CODE AND GOVERNING JURISDICTION.

4.2 THE WORK UNDER THIS INSTALLATION WILL BE CONSTRUCTED ALONG RIGHTS OF WAY THAT MAY CONTAIN EXISTING AND OPERATIONAL UTILITIES. THE CONTRACTOR SHALL BE FULLY RESPONSIBLE FOR LOCATING EXISTING UTILITIES AND FOR COMPLIANCE WITH THE REQUIREMENTS OF ANY STATEWIDE AND/OR LOCAL AREA IN ADVANCE OF ANY EXCAVATION, BORING OR PLACING WORK AND THE CONTRACTOR SHALL LOCATE AND EXPOSE BY HAND ALL EXISTING SUBSURFACE PLANT. ANY DAMAGE CAUSED BY THE CONTRACTOR SHALL BE REPAIRED BY THE CONTRACTOR AT HIS SOLE EXPENSE AND ANY DELAY INCURRED SHALL NOT BE CAUSE FOR AN EXTENSION IN THE TIME OF THE CONTRACT.

4.3 INSTALLER SHALL BE RESPONSIBLE FOR THE PROTECTION AND MAINTENANCE OF PUBLIC AND PRIVATE PROPERTIES. INSTALLER SHALL PROTECT, SHORE, BRACE, SUPPORT AND MAINTAIN ALL UNDERGROUND PIPES, CONDUITS, DRAINS AND OTHER SUBSURFACE STRUCTURES UNCOVERED OR OTHERWISE AFFECTED BY THE WORK.

4.4 INSTALLER SHALL BE RESPONSIBLE FOR ALL DAMAGE TO STREETS, ROADS, HIGHWAYS, SHOULDERS, DITCHES, EMBANKMENTS, CULVERTS, BRIDGES OR OTHER PUBLIC OR PRIVATE PROPERTY OR FACILITY, REGARDLESS OF LOCATION OR CHARACTER, WHICH MAY BE CAUSED BY THE WORK, OR BY MOVING, HAULING, OR OTHERWISE TRANSPORTING EQUIPMENT, MATERIALS OR WORKERS TO OR FROM WORK OR ANY SITE THEREOF, WHETHER BY THE CONTRACTOR OR SUBCONTRACTORS.

4.5 DURING ALL PHASES OF CONSTRUCTION, THE INSTALLER SHALL MAINTAIN WORK AREAS IN A NEAT AND ORDERLY MANNER. CONSTRUCTION EQUIPMENT, MATERIAL AND SUPPLIES THAT ARE STORED ON THE RIGHT OF WAY SHALL NOT RESTRICT ACCESS TO SUCH RIGHT OF WAY OR THE RIGHT OF WAY ITSELF.

5.0 SECURITY

5.1 INSTALLER IS RESPONSIBLE FOR ALL SECURITY REQUIRED TO PROTECT HIS WAREHOUSE, LAYDOWN, AND STAGING AREA AND THE USE OF OUTSIDE PLANT WORK. SECURITY SHALL ALSO INCLUDE TRAFFIC CONTROL WHERE REQUIRED INCLUDING THE USE OF OFF DUTY POLICE OFFICERS.

6.0 STAKING AND SCHEDULING

6.1 ALL STAKING WILL BE PROVIDED BY FLOCK SAFETY. REQUIRED RIGHT OF WAY CLEARING SHALL BE COMPLETED PRIOR TO STAKING; THEREFORE, THE INSTALLER SHALL COORDINATE ALL CLEARING AND PLACING OPERATIONS WITH THE FLOCK SAFETY PROJECT SUPERVISOR TO AVOID DELAYS AND INTERFERENCE.

6.2 FLOCK SAFETY WILL PROVIDE RAILROAD, FLAGMEN AND SIGNALMEN AS REQUIRED; HOWEVER, THE CONTRACTOR SHALL BE REQUIRED TO COORDINATE ITS NEEDS FOR SUCH SIGNALMEN AND FLAGMEN WITH FLOCK SAFETY.

6.3 IN ADDITION TO THE SCHEDULING REQUIREMENTS IN THE GENERAL PROVISIONS, UPON REQUEST THE CONTRACTOR SHALL ALSO SUBMIT TO THE FLOCK SAFETY PROJECT SUPERVISOR, DAILY CREW ASSIGNMENT REPORTS SPECIFYING CREW AND CREW COMPOSITION AND WORK LOCATION.

7.0 SPECIAL CONSIDERATIONS

7.1 IN THE EVENT OF HIRING A CONTRATOR; DURING THE BIDDING PROCESS THE CONTRACTOR SHOULD CONSIDER THE FOLLOWING ITEMS:

7.1.1 ALL WASTE AND/OR ABANDONED MATERIALS TO BE REMOVED SHALL BE DISPOSED OF AT A "RECOGNIZED DUMP FACILITY" IN THE AREA AS DESIGNATED BY THE LOCAL GOVERNING AUTHORITY.

[THIS SPACE LEFT INTENTIONALLY BLANK FOR STAMP]

COUNTRY CLUB MEADOWS

1237 ANTIETAM DR, LONG GROVE, IL 60047

flock safety

1170 HOWELL MILL ROAD SUITE 210
ATLANTA, GA 30318

REV	DATE	BY	DESCRIPTION
-	-	-	-
-	-	-	-
-	-	-	-
-	-	-	-
0	12/15/2022	DAW	PRELIM

I HEARBY CERTIFY THIS DOCUMENT WAS PREPARED BY MYSELF OR UNDER MY DIRECT SUPERVISION THAT I AM A DULY REGISTERED ENGINEER UNDER THE LAWS OF THE STATE OF ILLINOIS.

[THIS SPACE LEFT INTENTIONALLY BLANK FOR STAMP]

LICENSE PLATE READER CAMERA INSTALLATION

CASE NUMBER: 00259323
PERMITTING JURISDICTION:
VILLAGE OF LONG GROVE

COVER SHEET & LOCATION MAPS

SHEET: GN.02	REV: 0
------------------------	------------------

Sheet	Name	Lat	Lng	Street
A.01	#01 RFD Country Club Dr - Inbound	42.16057765	-88.0074853	1776 Checker Rd, Long Grove, IL 60047
A.02	#02 Schaeffer Rd SB - Inbound	42.16792342	-87.99942944	1237 Antietam Dr, Long Grove, IL 60047

[THIS SPACE LEFT INTENTIONALLY BLANK FOR STAMP]

COUNTRY CLUB MEADOWS
1237 ANTIETAM DR, LONG GROVE, IL 60047

frock safety
1170 HOWELL MILL ROAD SUITE 210
ATLANTA, GA 30318

REV	DATE	BY	DESCRIPTION
-	-	-	-
-	-	-	-
-	-	-	-
-	-	-	-
0	12/15/2022	DAW	PRELIM

I HEREBY CERTIFY THIS DOCUMENT WAS PREPARED BY MYSELF OR UNDER MY DIRECT SUPERVISION THAT I AM A DULY REGISTERED ENGINEER UNDER THE LAWS OF THE STATE OF ILLINOIS.

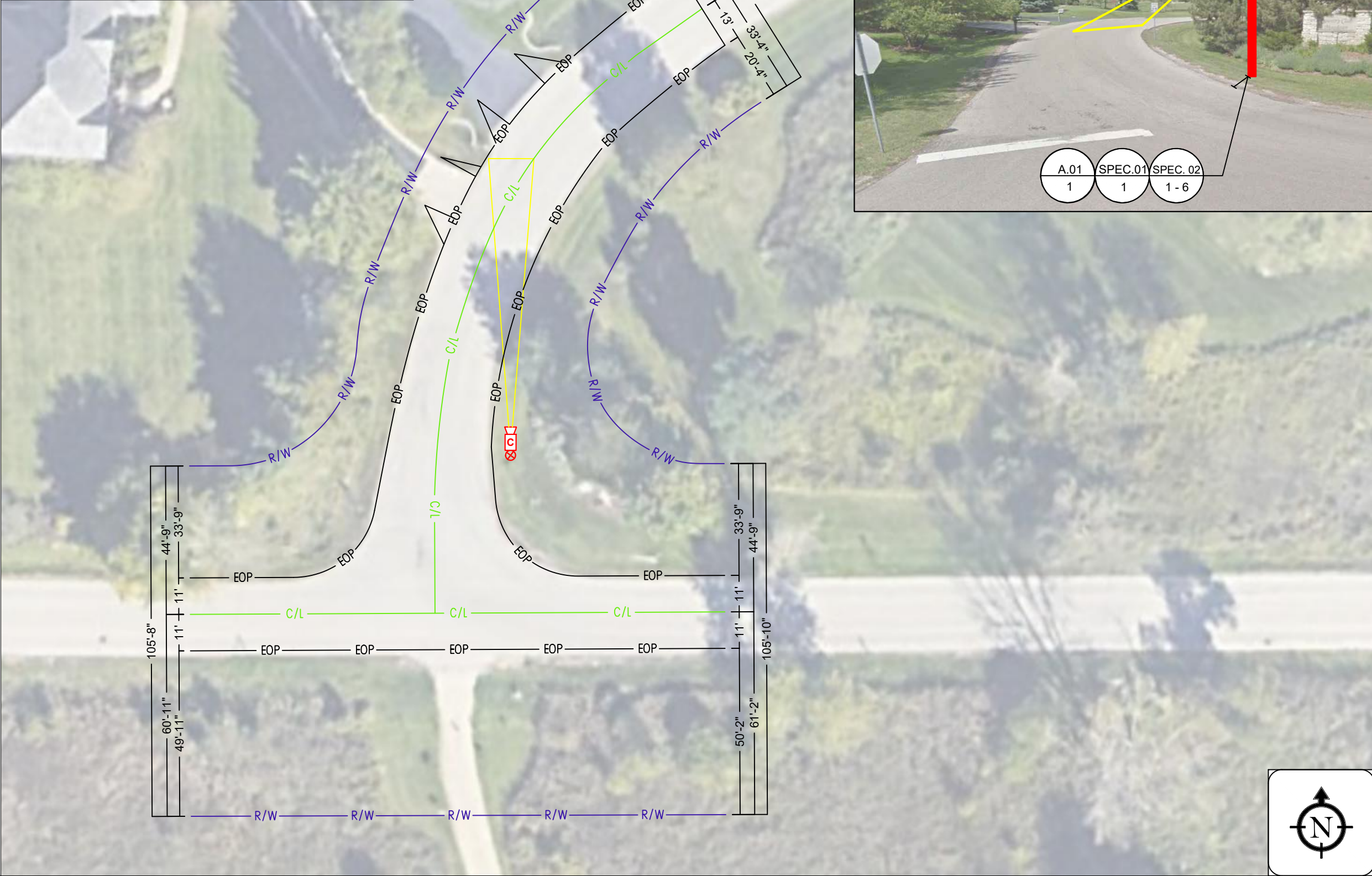
[THIS SPACE LEFT INTENTIONALLY BLANK FOR STAMP]

LICENSE PLATE READER CAMERA
INSTALLATION

CASE NUMBER: 00259323
PERMITTING JURISDICTION:
VILLAGE OF LONG GROVE

COVER SHEET & LOCATION MAPS	
SHEET: GN.03	REV: 0

1
 PROPOSED 12'-0" FLOCK POLE CAMERA #2
 #01 RFD COUNTRY CLUB DR - INBOUND
 42.16057765473384,-88.00748530200741
 6'-2" FROM CURB FACE
 *REFERENCE TYPICAL DETAIL ON SHEET SPEC.01



[THIS SPACE LEFT INTENTIONALLY BLANK FOR STAMP]

COUNTRY CLUB MEADOWS
 1237 ANTIETAM DR, LONG GROVE, IL 60047

frock safety
 1170 HOWELL MILL ROAD SUITE 210
 ATLANTA, GA 30318

REV	DATE	BY	DESCRIPTION
-	-	-	-
-	-	-	-
-	-	-	-
0	12/15/2022	DAW	PRELIM

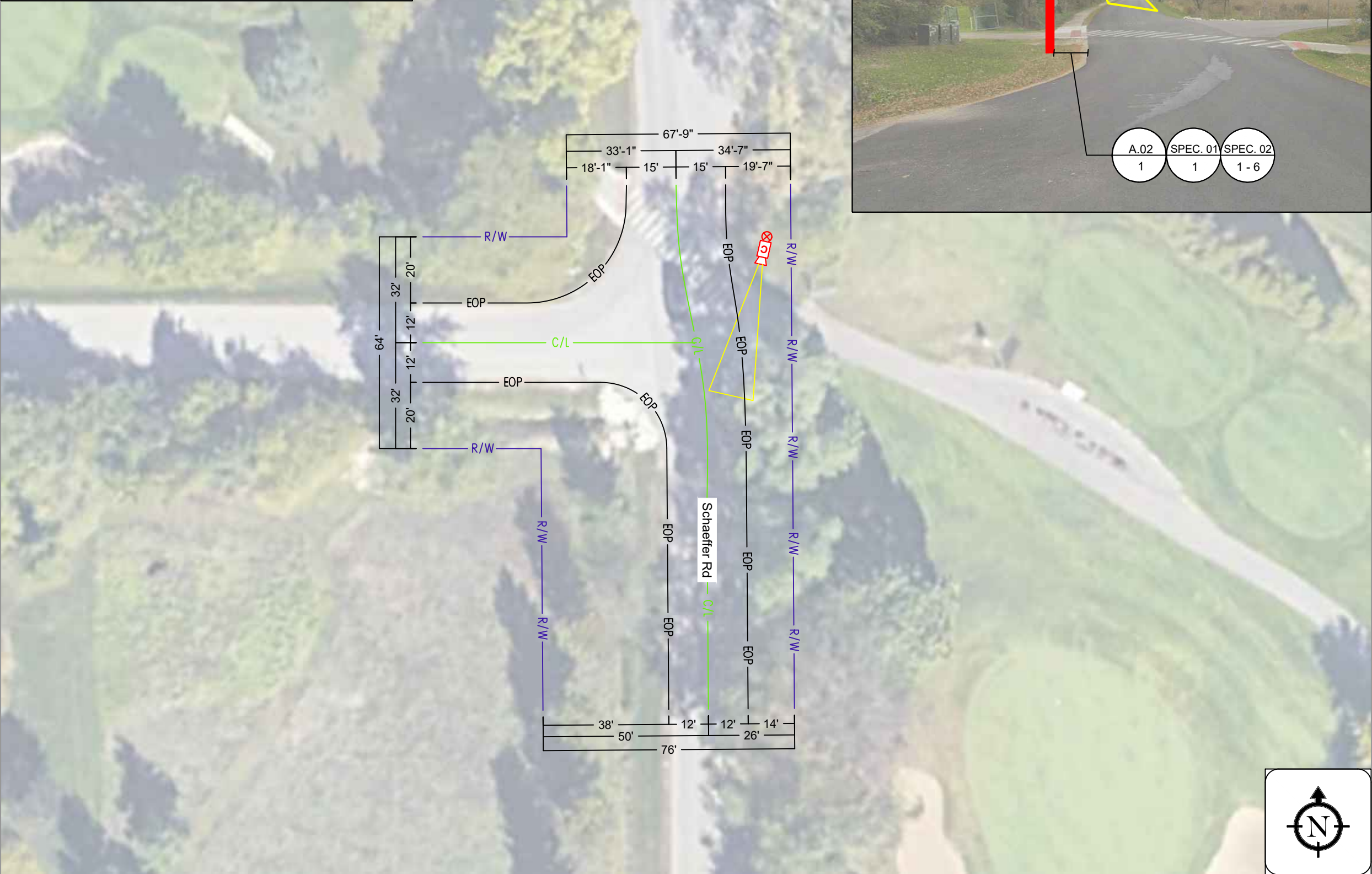
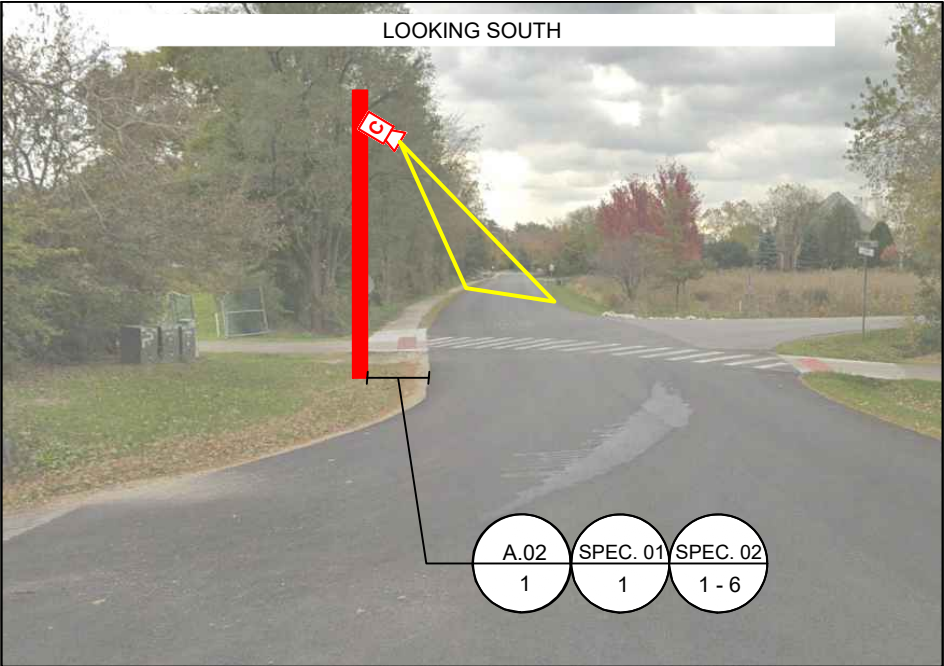
I HEREBY CERTIFY THIS DOCUMENT WAS PREPARED BY MYSELF OR UNDER MY DIRECT SUPERVISION THAT I AM A DULY REGISTERED ENGINEER UNDER THE LAWS OF THE STATE OF ILLINOIS.

[THIS SPACE LEFT INTENTIONALLY BLANK FOR STAMP]

LICENSE PLATE READER CAMERA INSTALLATION
 CASE NUMBER: 00259323
 PERMITTING JURISDICTION: VILLAGE OF LONG GROVE

COVER SHEET & LOCATION MAPS	
SHEET: A.01	REV: 0

1
 PROPOSED 12'-0" FLOCK POLE CAMERA #1
 #02 SCHAEFFER RD SB - INBOUND
 42.16748976936581,-87.99953298437349
 5'-10" FROM CURB FACE
 *REFERENCE TYPICAL DETAIL ON SHEET SPEC.01



[THIS SPACE LEFT INTENTIONALLY BLANK FOR STAMP]

COUNTRY CLUB MEADOWS
 1237 ANTIETAM DR, LONG GROVE, IL 60047

flock safety
 1170 HOWELL MILL ROAD SUITE 210
 ATLANTA, GA 30318

REV	DATE	BY	DESCRIPTION
-	-	-	-
-	-	-	-
-	-	-	-
0	12/15/2022	DAW	PRELIM

I HEREBY CERTIFY THIS DOCUMENT WAS PREPARED BY MYSELF OR UNDER MY DIRECT SUPERVISION THAT I AM A DULY REGISTERED ENGINEER UNDER THE LAWS OF THE STATE OF ILLINOIS.

[THIS SPACE LEFT INTENTIONALLY BLANK FOR STAMP]

LICENSE PLATE READER CAMERA INSTALLATION
 CASE NUMBER: 00259323
 PERMITTING JURISDICTION: VILLAGE OF LONG GROVE

COVER SHEET & LOCATION MAPS	
SHEET: A.02	REV: 0

DESIGN NOTES

1. POLE AND FOUNDATIONS ARE DESIGNED IN ACCORDANCE WITH THE FOLLOWING CODES:
 - 1.1. 2009/2012/2015/2018/2021 INTERNATIONAL BUILDING CODE
 - 1.2. AASHTO LRFD SPECIFICATIONS FOR STRUCTURAL SUPPORT FOR HIGHWAY SIGNS, LUMIN - TRAFFIC SIGNALS, 2015 EDITION.
2. POLE ANALYSIS AND FOUNDATION DESIGN ARE BASED ON THE FOLLOWING CRITERIA:
 - 2.1. DESIGN WIND SPEED (VuIt): (SEE SECTION 2.6)
 - 2.2. RISK CATEGORY: II
 - 2.3. EXPOSURE CATEGORY: C
 - 2.4. TOPOGRAPHIC CATEGORY: 1
 - 2.5. SEISMIC DESIGN CRITERIA:
 - 2.5.1. SOIL SITE CLASS: D (ASSUMED)
 - 2.5.2. SPECTRAL RESPONSE, Ss: 1.000g (MAXIMUM)
 - 2.5.3. SPECTRAL RESPONSE, S1: 0.400g (MAXIMUM)
 - 2.5.4. SEISMIC DESIGN CATEGORY: B
 - 2.6. STRUCTURE BASE REACTIONS ARE CALCULATED AS FOLLOWS:

DESIGN WIND SPEED (MPH)	MOMENT (K-FT)	SHEAR (KIP)	AXIAL (KIP)
115	2.70	0.280	0.160
125	3.20	0.330	0.160
135 (MAX)	3.70	0.380	0.160

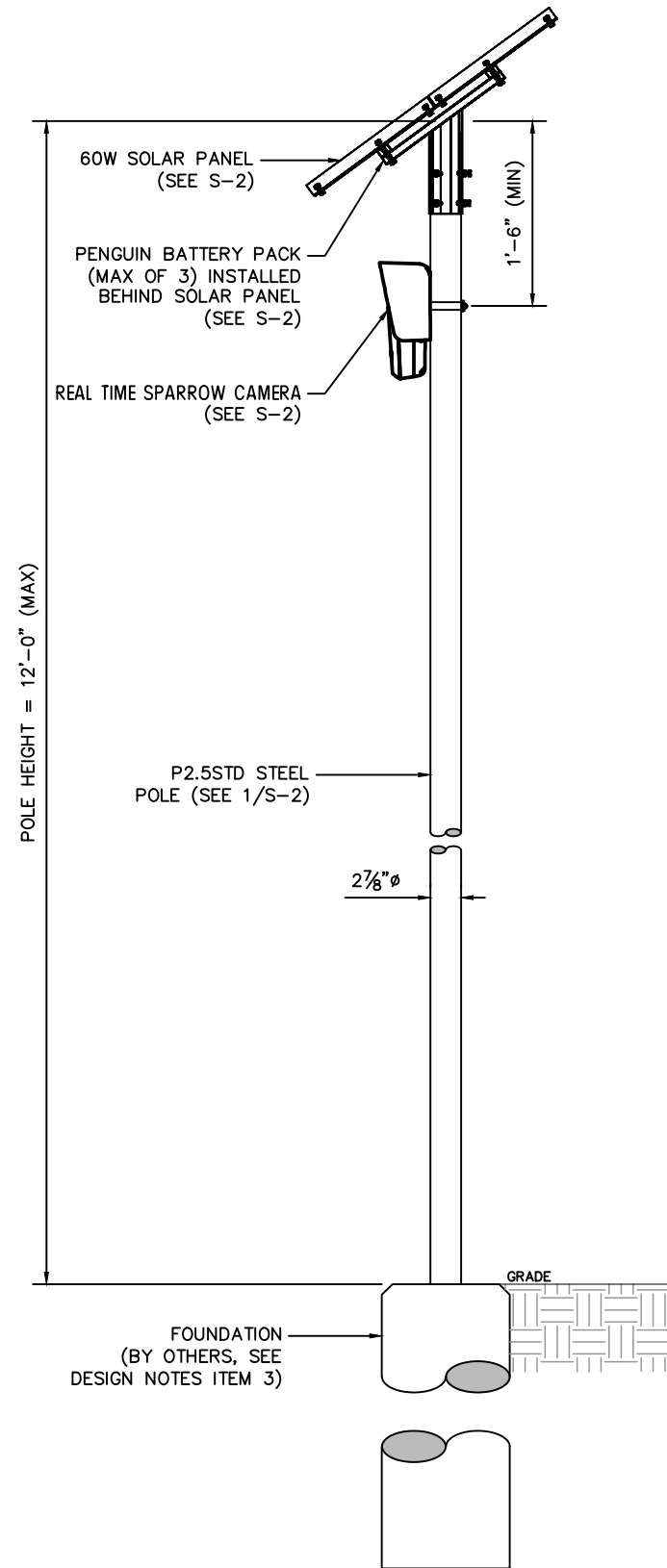
- 2.7. SHOULD ANY OF THE SITE-SPECIFIC PARAMETERS BE HIGHER THAN WHAT IS NOTED ABOVE, THE EOR SHALL BE CONTACTED TO PROVIDE A REVISED DESIGN.
3. FOUNDATIONS ARE DESIGNED BY OTHERS. FLOCK SAFETY SHALL PROVIDE THE CONTRACTOR WITH INSTALLATION SPECIFICATIONS AND GUIDELINES. CONTRACTOR IS RESPONSIBLE FOR VERIFYING SOIL CONDITIONS PRIOR TO INSTALLATION.

GENERAL & CONSTRUCTION NOTES

1. CONTRACTOR SHALL CONTACT DESIGNATED AGENCY TO LOCATE ALL UNDERGROUND UTILITIES PRIOR TO CONSTRUCTION.
2. CONTRACTOR SHALL APPLY AND OBTAIN AN APPROVED TRAFFIC CONTROL PLAN IN ACCORDANCE WITH MUTCD AND LOCAL JURISDICTION STANDARDS.
3. CONTRACTOR SHALL RESTORE ALL DISTURBED AREAS TO ORIGINAL SITE CONDITION TO THE SATISFACTION OF STATE DEPARTMENT OF TRANSPORTATION AND LOCAL JURISDICTION.
4. ALL WORK SHALL CONFORM TO APPLICABLE ELECTRICAL CODES EXCEPT WHEN STATE DEPARTMENT OF TRANSPORTATION OR LOCAL JURISDICTION STANDARDS SUPERSEDE.
5. POLE AND PROPOSED EQUIPMENT SHALL BE CONNECTED TO SOLID BARE BOND GROUND AND GROUNDING ROD IN POLE FOUNDATION.
6. ALL CONSTRUCTION SHALL BE IN ACCORDANCE WITH SPECIFICATIONS DEFINED BY THE STATE DEPARTMENT OF TRANSPORTATION OR LOCAL JURISDICTION, UNLESS SPECIFICALLY STATED OR SHOWN OTHERWISE HEREIN.

ADA COMPLIANCE NOTES

1. ALL SIDEWALK CONSTRUCTION SHALL BE IN ACCORDANCE WITH ADA TITLE II, STATE DEPARTMENT OF TRANSPORTATION, AND LOCAL JURISDICTION STANDARDS.
2. STATE DEPARTMENT OF TRANSPORTATION CURRENT EDITION STANDARDS SHALL BE USED FOR PEDESTRIAN CONTROL PLANS WHEN CLOSURE OF SIDEWALK IS REQUIRED FOR CONSTRUCTION.
3. MINIMUM CLEAR PEDESTRIAN ACCESS ROUTE (PAR) SHALL BE 48" WIDE.
4. NO OBSTRUCTION IS PERMITTED ALONG THE WIDTH OF THE SIDEWALK, UP TO AN ELEVATION OF 7'-0" ABOVE GRADE.



1 POLE ELEVATION DETAIL

SCALE: N/A

[THIS SPACE LEFT INTENTIONALLY BLANK FOR STAMP]

COUNTRY CLUB MEADOWS
1237 ANTIETAM DR, LONG GROVE, IL 60047

flock safety

1170 HOWELL MILL ROAD SUITE 210
ATLANTA, GA 30318

REV	DATE	BY	DESCRIPTION
-	-	-	-
-	-	-	-
-	-	-	-
0	12/15/2022	DAW	PRELIM

I HEREBY CERTIFY THIS DOCUMENT WAS PREPARED BY MYSELF OR UNDER MY DIRECT SUPERVISION THAT I AM A DULY REGISTERED ENGINEER UNDER THE LAWS OF THE STATE OF ILLINOIS.

[THIS SPACE LEFT INTENTIONALLY BLANK FOR STAMP]

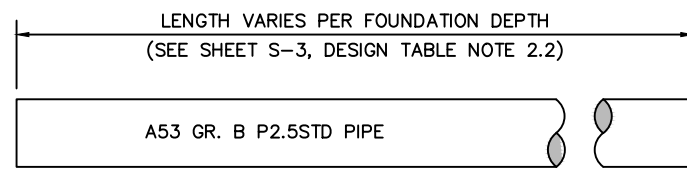
LICENSE PLATE READER CAMERA
INSTALLATION

CASE NUMBER: 00259323
PERMITTING JURISDICTION:
VILLAGE OF LONG GROVE

COVER SHEET & LOCATION MAPS

SHEET: SPEC.01	REV: 0
--------------------------	------------------

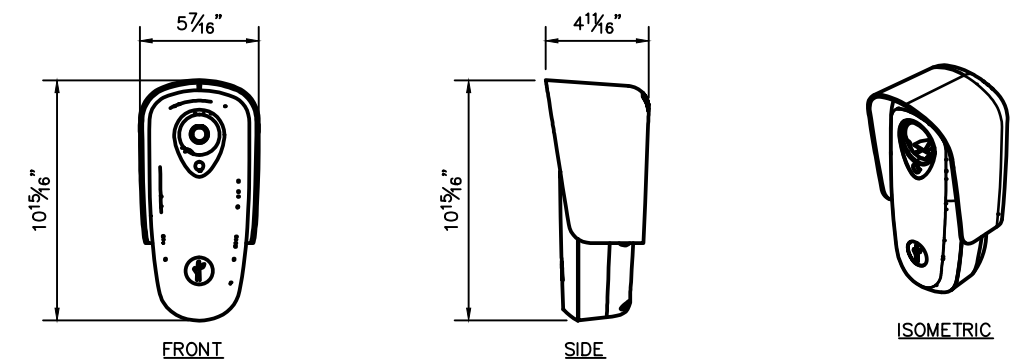
1



PIPE SHALL BE HOT DIP GALVANIZED

PIPE DETAIL

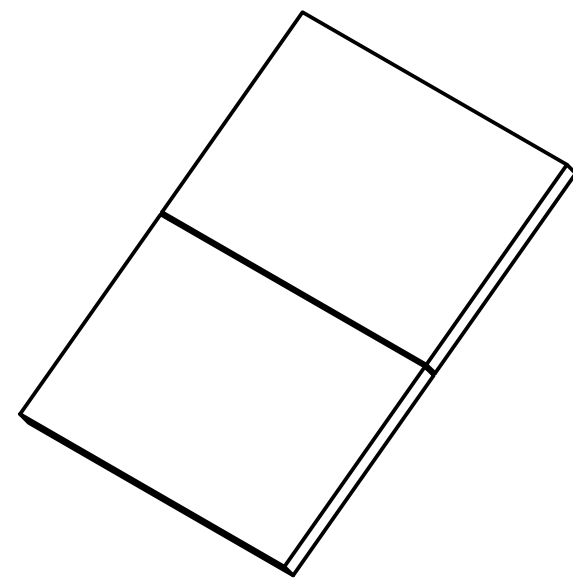
2



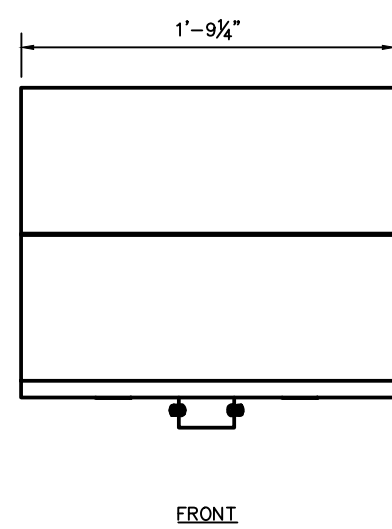
FLOCK SAFETY "SPARROW" CAMERA

MOUNTING HARDWARE TO BE PROVIDED BY FLOCK SAFETY

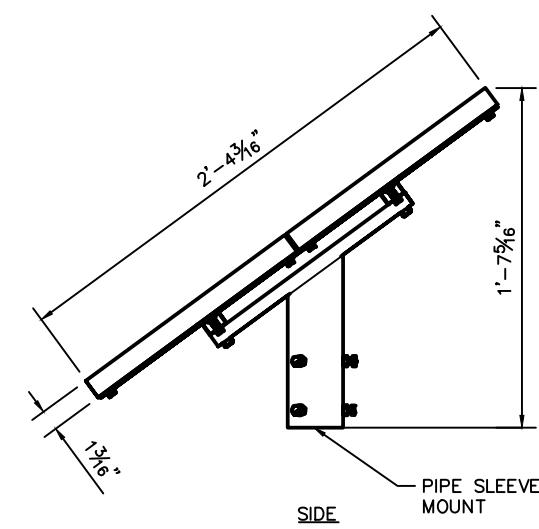
3



ISOMETRIC



FRONT



SIDE

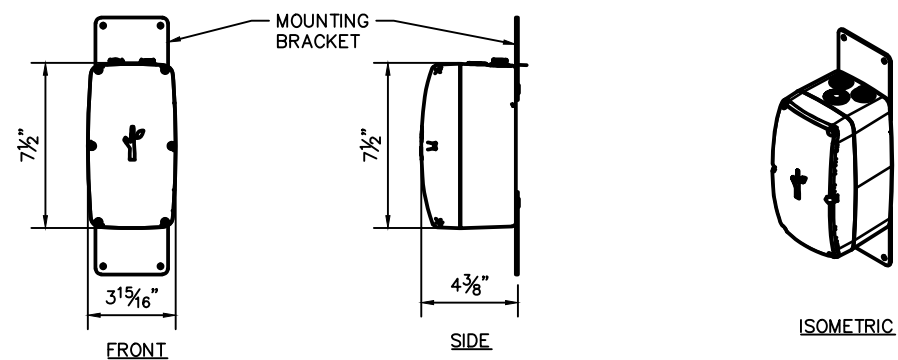
PIPE SLEEVE MOUNT

MOUNTING HARDWARE TO BE PROVIDED BY FLOCK SAFETY

60 WATT SOLAR PANEL DETAIL (TOP MOUNTED)

4

NOT USED



"PENGUIN" BATTERY PACK

BATTERY PACKS TO BE MOUNTED BEHIND 60W SOLAR PANEL

5

NOT USED

[THIS SPACE LEFT INTENTIONALLY BLANK FOR STAMP]

COUNTRY CLUB MEADOWS
 1237 ANTIETAM DR, LONG GROVE, IL 60047

flock safety
 1170 HOWELL MILL ROAD SUITE 210
 ATLANTA, GA 30318

REV	DATE	BY	DESCRIPTION
-	-	-	-
-	-	-	-
-	-	-	-
0	12/15/2022	DAW	PRELIM

I HEREBY CERTIFY THIS DOCUMENT WAS PREPARED BY MYSELF OR UNDER MY DIRECT SUPERVISION THAT I AM A DULY REGISTERED ENGINEER UNDER THE LAWS OF THE STATE OF ILLINOIS.

[THIS SPACE LEFT INTENTIONALLY BLANK FOR STAMP]

LICENSE PLATE READER CAMERA
 INSTALLATION
 CASE NUMBER: 00259323
 PERMITTING JURISDICTION:
 VILLAGE OF LONG GROVE

COVER SHEET & LOCATION MAPS	
SHEET: SPEC.02	REV: 0