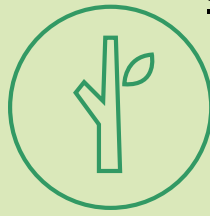


Flock Safety Tech Specs



License plate reading cameras that capture more evidence for your city.



Dual Solar Panels

- Voltage: 18-20V
- Weight: 25.73 lbs (with hardware)
- Length: 21.25"
- Width: 28"
- Mount: Pole top or side of existing pole

Pole

- DOT Breakaway Pole - 12' installed height
- Diameter: 2.875" OD, 2.125" ID
- Material: 6061 Aluminum with black coating
- Alloy: 6061
- Weight: 32 lbs

Camera

- Length: 8.75"
- Height: 5"
- Width: 2.875"
- Mounting: Adjustable band clamps
- Weight: 3lbs
- Footage: Uploads via integrated LTE
- Field of View: 15' wide, 65' distance
- Assembly: Flock Safety in Atlanta, GA



Install Anywhere



Solar & Existing Pole



Solar & Flock Pole



Electric & Existing Pole

4

3

2

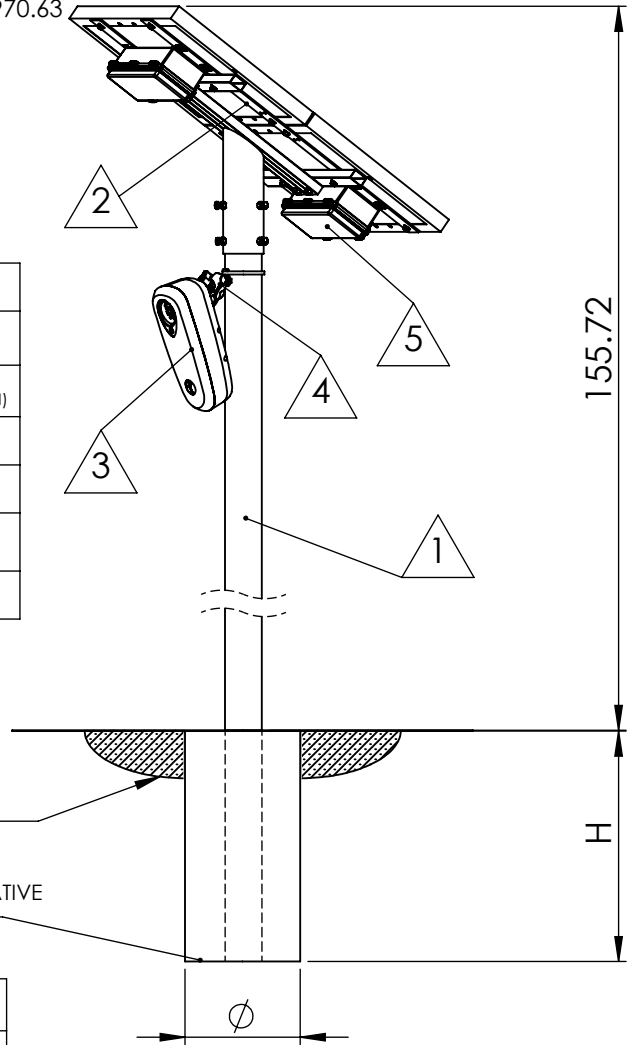
1

NOTES:

- 1 POLE IS BREAKAWAY 2.875" (73mm) IN DIAMETER 6063-T52 ALUMINUM WITH WALL THICKNESS .203" (5.16mm) AS PER 12/6/2007 FHWA LETTER.
- 2 THE PANEL ASSEMBLY MAY NOT EXCEED TWO BATTERY PACKS
- 3. MAX TOTAL WEIGHT OF ASSEMBLY IS 30.8 LBS (13970.63 GRAMS)

REVISION HISTORY			
REV.	DESCRIPTION	DATE	APPROVED
A	INITIAL DRAWING	10/26/2020	

BOM						
Item	Part Number	Part Name	QTY.	MASS (LB)	DIMENSIONS LxWxH (IN)	CROSS-SECTIONAL AREA (FT ²)
1	204-00029	14' BLACK 2-PIECE POLE	1	17	2.9 x 2.9 x 168.0	3.0 (2' FOUNDATION)
2	701-00116	Double Panel - Top Mount	1		21.3 x 28.3 x 10.5	2.1
3	701-0059	Flock Safety Camera	1	3.6	3.3 x 4.3 x 10.5	.3
4	702-0007	RAM Ball Mount & Adapter	1	1.4	N/A	N/A
5	701-00011	Battery Pack	2	4.4	2.8 x 3.9 x 10.8	N/A



FOUNDATION SPECIFICATIONS				
TYPE	V. MAX (MPH)	CAISSON Ø (IN)	CAISSON H (IN)	SOLAR PANEL ELEVATION FROM GRADE (FT MAX)
1*	85	8	24	12
2	110	12	30	12
3	130	12	36	12
4	150	16	48	12

* STANDARD INSTALLATION SPECIFICATIONS

PROPRIETARY AND CONFIDENTIAL

THE INFORMATION CONTAINED IN THIS DRAWING IS THE SOLE PROPERTY OF FLOCK SAFETY. ANY REPRODUCTION IN PART OR AS A WHOLE WITHOUT THE WRITTEN PERMISSION OF FLOCK SAFETY IS PROHIBITED.

		DIMENSIONS ARE IN INCHES TOLERANCES: FRACTIONAL ±1/16 ANGULAR: X.X ±3° X.XX ±1° DECIMAL: X.X ±.02 X.XX ±.01 X.XXX ±.005	NAME	DATE
		MATERIAL	DRAWN	
		FINISH	CHECKED	
NEXT ASSY	USED ON		ENG APPR.	
			MFG APPR.	
APPLICATION	DO NOT SCALE DRAWING		Q.A.	
			COMMENTS:	

flock safety
TOP POLE MOUNT -
DOUBLE SOLAR PANEL
WITH 2 EXTERNAL
BATTERIES

SIZE A	DWG. NO. 905-00005	REV. A
SCALE: 1:20	SHEET 1 OF 1	

4

3

2

1

4

3

2

1

NOTES:

- 1. POLE SHOULD BE 2" - 3" IN DIAMETER
- 2. MAX WEIGHT OF SOLAR PANEL AND MOUNT IS 20.8 LBS (13063.45 GRAMS)

REVISION HISTORY

REV.	DESCRIPTION	DATE	APPROVED
A	INITIAL DRAWING	6/9/2020	CORRIGAN
B	UPDATE BOM TABLE AND WEIGHTS	6/9/2020	CORRIGAN

D

D

C

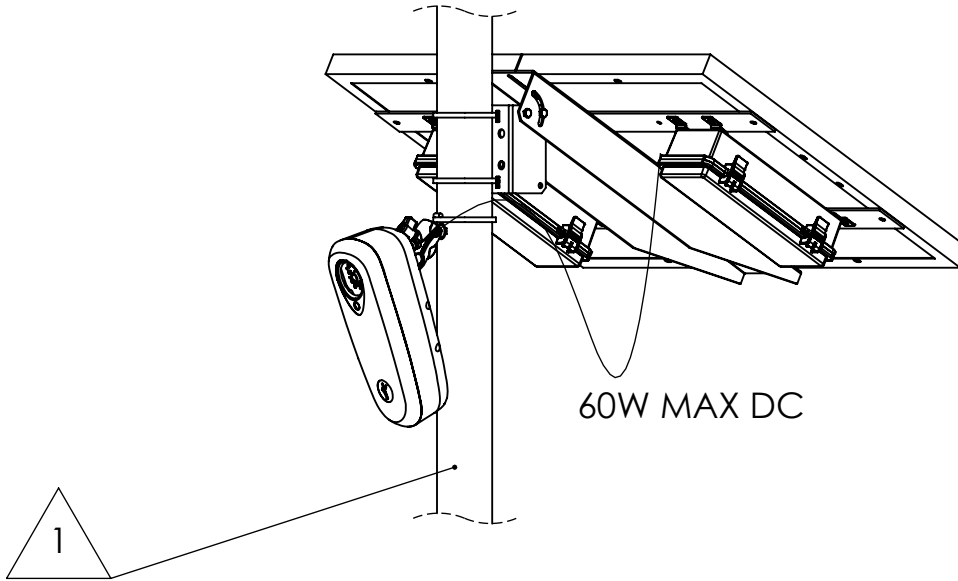
C

B

B

A

A



BILL OF MATERIALS

ITEM NO.	P/N	LIBRARY NAME	DESCRIPTION	QTY.	WEIGHT (LBS)
1	701-00059	Flock Safety Camera	The Flock Safety LPR camera used in all install types	1	3.6
2	701-00117	Double Panel - Side Mount	Double solar panel used for installation on existing utility, light, or traffic poles	1	15
3	702-00007	RAM Ball Mount & Adapter	Mount used to secure the Flock Safety LPR Camera to either a Flock pole or an existing utility, light, or traffic pole	1	1.4
4	701-00111	External Battery Pack	External battery used to increase battery capacity of the install for high traffic or low solar environments	2	4.4

PROPRIETARY AND CONFIDENTIAL

THE INFORMATION CONTAINED IN THIS DRAWING IS THE SOLE PROPERTY OF FLOCK SAFETY. ANY REPRODUCTION IN PART OR AS A WHOLE WITHOUT THE WRITTEN PERMISSION OF FLOCK SAFETY IS PROHIBITED.

DIMENSIONS ARE IN INCHES
 TOLERANCES:
 FRACTIONAL ±1/16
 ANGULAR: X.X ±3° X.XX ±1°
 DECIMAL:
 X.X ±.02 X.XX ±.01 X.XXX ±.005

MATERIAL

FINISH

NEXT ASSY USED ON

APPLICATION

DO NOT SCALE DRAWING

	NAME	DATE
DRAWN		
CHECKED		
ENG APPR.		
MFG APPR.		
Q.A.		
COMMENTS:		

flock safety

SIDE POLE MOUNT -
 DOUBLE SOLAR PANEL
 WITH 2 EXTERNAL
 BATTERIES REV B

SIZE **A** DWG. NO. 905-00006 REV. B

SCALE:1:20

SHEET 1 OF 1

4

3

2

1